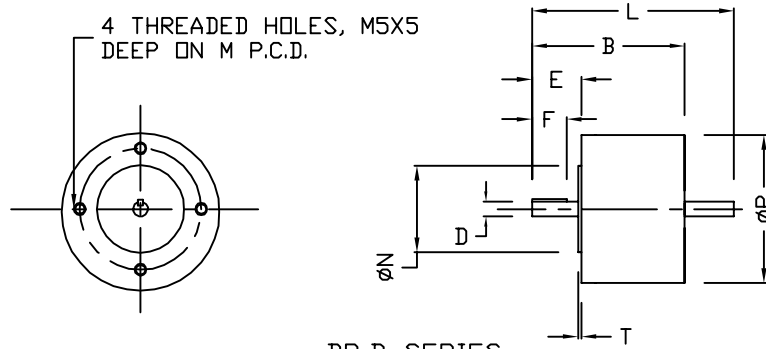


# B SERIES, BR SERIES, TACHO GENERATORS

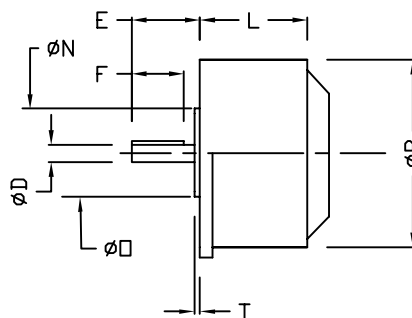
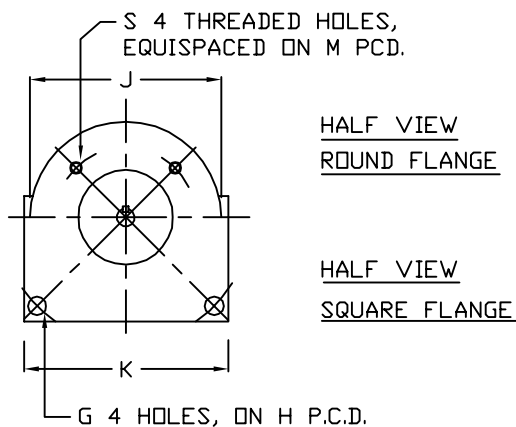
## B SERIES

	L	B	E	F	∅Nh6	T	∅Dg6	∅P	M
B9M4/B9M4T	109	84	30.5	4X25L	∅80	1.5	∅12	∅115	93
B12M4/B12M4T	115	84	30.5	4X25L	∅80	1.5	∅12	∅145	124
B12M4H/B12M4HT	133	103	30.5	4X25L	∅80	1.5	∅12	∅145	124

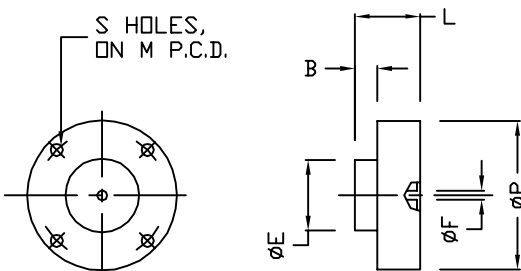


BR, B SERIES

	L	E	F	T	S	M	G	H	J	K	∅J6	∅NJ6	∅DJ6	∅P
BR13M4CH*RF	126	34	5X20	3.0	M6	115	-	-	160	-	-	95	14	170
BR13M4CH*SF	138	34	5X20	3.5	-	-	11	260,215	-	210	180	-	14	170
BR17M4CH	137	34	5X20	3.5	M8	115	11	260	226	211	180	95	14	200
BR19M4CH/HR/LR	137	50	8X32	3.5	M8	165	11	260	226	211	130	130	24	226
B23	147	53	8X32	3.5	M10	165	18	300	-	270	250	130	24	270
BR24M4CH	158	60	8X35	5.0	M12	215	18.5	300	293	245	250	180	28	290
BR27M4CH	175	60	8X35	5.0	M12	215	18	300	320	277	250	180	28	300
BR26D	385	60	8X35	5.0	-	-	18	300	365	-	250	-	28	340



\*RF=ROUND FLANGE.  
\*SF= SQUARE FLANGE.



## TACHOGENERATORS

	L	B	S	M	∅E	∅F			∅P
B9T	45	10	4X3.5	105	82	10 H7	-	-	120
B12T	45	16	4X4.5	129	82	10 H7	14 H7	16 H7	140

DIMENSIONS SHOWN HERE ARE INDICATIVE ONLY.