

G Series PMDC Motor Specifications

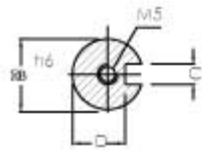
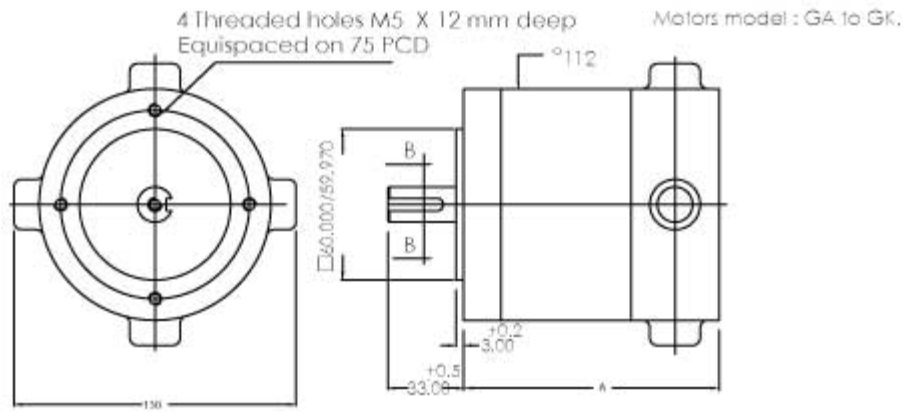
| PMDC Motor Model | Rated Torque Kgcm | Rated Voltage V | Rated Current A | Rated Speed RPM | Rated Power watts |
|------------------|-------------------|-----------------|-----------------|-----------------|-------------------|
| GA | 10 | 24 | 5 | 500 | 52.1 |
| | 10 | 24 | 8.5 | 1500 | 156.3 |
| | 10 | 48 | 4 | 1500 | 156.3 |
| | 10 | 180 | 0.9 | 1500 | 104.2 |
| | 10 | 180 | 1.25 | 1500 | 156.3 |
| | 10 | 180 | 2.4 | 3000 | 312.5 |
| GB | 20 | 24 | 14 | 500 | 104.2 |
| | 20 | 24 | 16 | 1500 | 312.5 |
| | 20 | 48 | 9.15 | 1500 | 312.5 |
| | 20 | 90 | 3.25 | 1000 | 208.3 |
| | 20 | 90 | 8 | 3000 | 625.0 |
| | 20 | 180 | 1.3 | 1000 | 208.3 |
| | 20 | 180 | 2 | 1500 | 312.5 |
| | 20 | 180 | 5 | 3000 | 625.0 |
| GC | 30 | 24 | 26 | 1500 | 468.8 |
| | 30 | 48 | 22 | 3000 | 937.5 |
| | 30 | 90 | 5 | 1000 | 312.5 |
| | 30 | 180 | 3.1 | 1500 | 468.8 |
| | 30 | 180 | 6 | 3000 | 937.5 |
| GD | 40 | 180 | 2.8 | 1000 | 416.7 |
| GE | 50 | 180 | 5 | 1500 | 781.3 |
| GF | 60 | 90 | 23 | 3000 | 1875.0 |
| GK | 90 | 180 | 9 | 1500 | 1406.3 |

Power in Watts = (Torque in Kgcm X Speed in RPM) / 96

Performance Figures

| Motor Model | Diameter | Torque | |
|-------------|----------|---------|--|
| GA | 112 cm | 10 Kgcm | Planetary Gearbox of any Gear Ratio can be offered for these models |
| GB | | 20 Kgcm | |
| GC | | 30 Kgcm | |
| GD | | 40 Kgcm | |
| GE | | 50 Kgcm | |
| GF | | 60 Kgcm | |
| GH | | 70 Kgcm | |
| GJ | | 80 Kgcm | |
| GK | | 90 Kgcm | |

Outline Drawing



SECTION BB

| MODEL | L | E | F | G | R | T | S | M | ØNf7 | ØDg6 | ØP | J | ØK | Weight Kg. |
|-------|-----|----|------|------|---|-----|----|----|------|------|-----|-----|----|------------|
| GA | 165 | 33 | 5X22 | 11.0 | - | 3.0 | M5 | 75 | 60 | 14 | 112 | 138 | 36 | 4.0 |
| GB | 195 | 33 | 5X22 | 11.0 | - | 3.0 | M5 | 75 | 60 | 14 | 112 | 138 | 36 | 5.5 |
| GC | 225 | 33 | 6X22 | 15.5 | - | 3.0 | M5 | 75 | 60 | 19 | 112 | 138 | 36 | 7.5 |
| GD | 255 | 33 | 6X22 | 15.5 | - | 3.0 | M5 | 75 | 60 | 19 | 112 | 138 | 36 | 9.0 |
| GE | 285 | 33 | 6X22 | 15.5 | - | 3.0 | M5 | 75 | 60 | 19 | 112 | 138 | 36 | 11.0 |
| GF | 315 | 33 | 6x22 | 15.5 | - | 3.0 | M5 | 75 | 60 | 19 | 112 | 138 | 36 | 12.5 |
| GK | 405 | 33 | 6X22 | 15.5 | - | 3.0 | M5 | 75 | 60 | 19 | 112 | 138 | 36 | 18.0 |