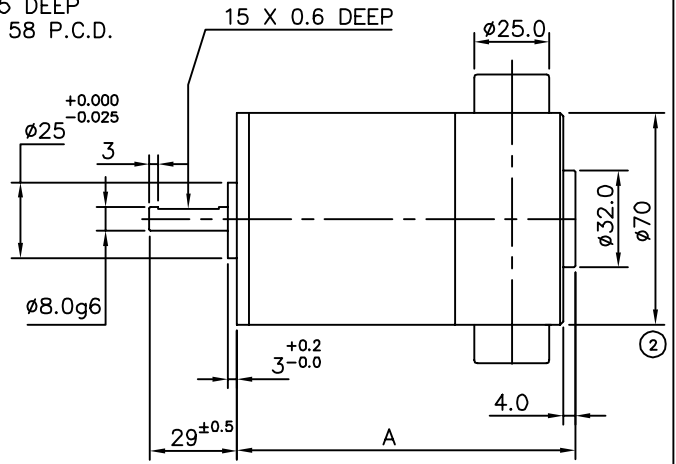
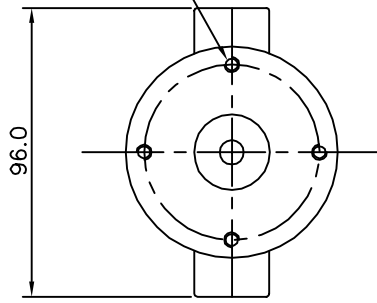


MOTORS MODELS : DA, DB & DC

4 TAPPS M5 X 5 DEEP
EQUISPACED ON 58 P.C.D.

MODEL ①	A	WEIGHT IN KGS
DA	112	1.30
DB	146	2.00
DC	180	2.70

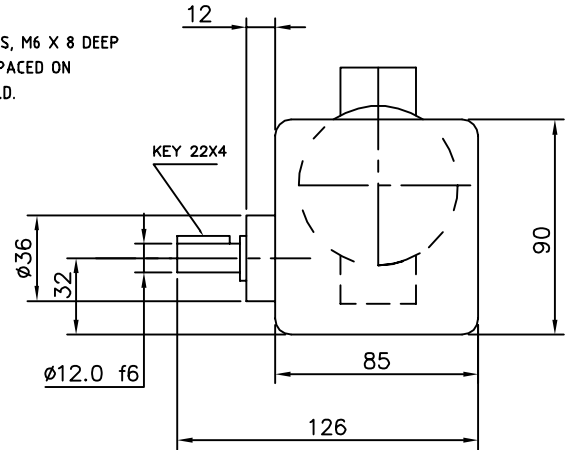
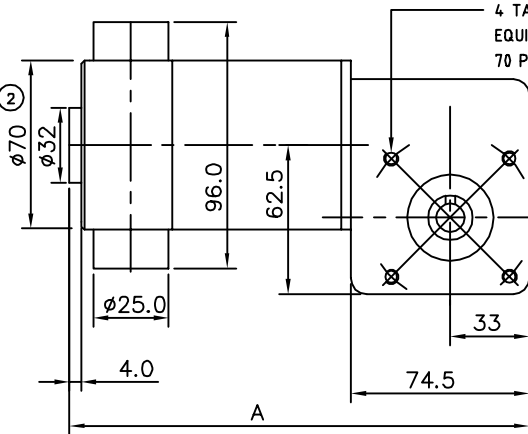


MOTORS WITH WORM REDUCTION GEAR BOX

MODEL ①	A	WEIGHT IN KGS
DA	187	2.6
DB	221	3.3
DC	255	4.0

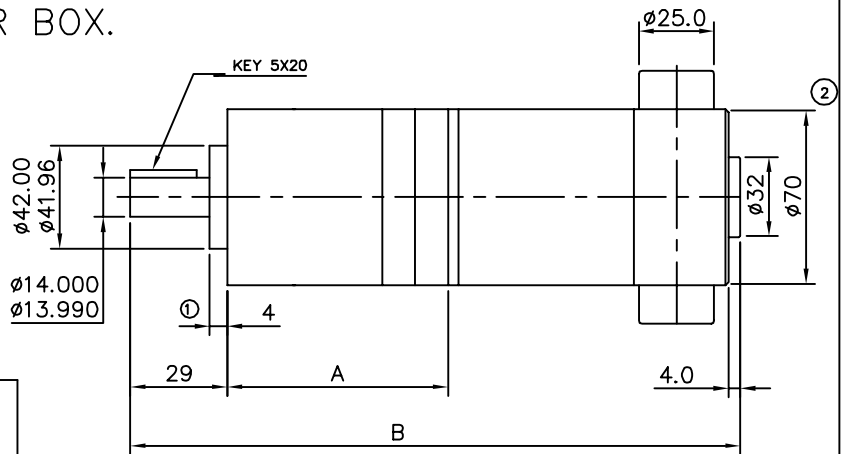
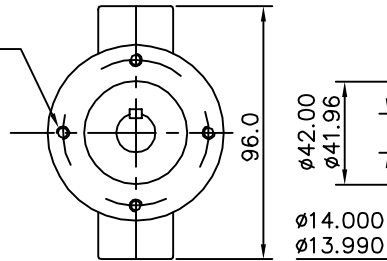
GEAR RATIOS :-

- 11:1
- 22:1
- 34:1



MOTORS WITH PLANETARY GEAR BOX.

①
4 TAPPS, M5 X 10 DEEP
EQUISPACED ON
58 P.C.D.



MOTOR TYPE ①	PLANETARY GEAR BOX STAGE	A	B	GEAR BOX RATIO	WEIGHT IN KGS
DA	1	68	209	4.5:1	2.30
DA	2	87	228	20:1	2.60
DA	3	106	247	90:1	2.90
DB	1	68	243	4.5:1	3.00
DB	2	87	262	20:1	3.30
DB	3	106	291	90:1	3.60
DC	1	68	277	4.5:1	3.70
DC	2	87	317	20:1	4.40
DC	3	106	357	90:1	5.10

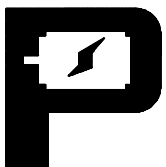
NOTES: -

- DIMENSIONS GIVEN HERE ARE SUBJECT TO CHANGE WITHOUT NOTICE.
- PLEASE SEND APPROVAL COPY WHILE ORDERING
- ALL DIMENSIONS ARE IN MM.

INDEX	REVISION	DATE	SIGN
③	REAR COVER & TABLE DIM.ARE CHANGED	07/08/11	SDA.
②	DIMENSIONS ϕ 70.0 WAS ϕ 69.0	10-02-04	
①	DIMENSIONS 58.0,4.0 ,WAS 60.0,3.0	17-07-03	VTK.
①	NO.DAOL017/0 WAS D913 & MODEL: DA,DB,DC. WAS D,E,F RESPECTIVELY.	05-04-03	VTK.

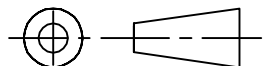
Manufactured by-

PRANSHU ELECTRICALS PVT. LTD.



D-15, MIDC, WALUJ,
AURANGABAD-431 136
(MAHARASHTRA)

DRN.	VTK.	05-05-99
CKD.	SMK.	05-05-99
APPD.	VVH.	05-05-99



SCALE- NTS.

TITLE.

OUT LINE DRAWING.
PERMANENT MAGNET
D.C. SERVO MOTOR.

MODEL: DA,DB,DC.

REFERENCE NO.
DAOL017/3 ①