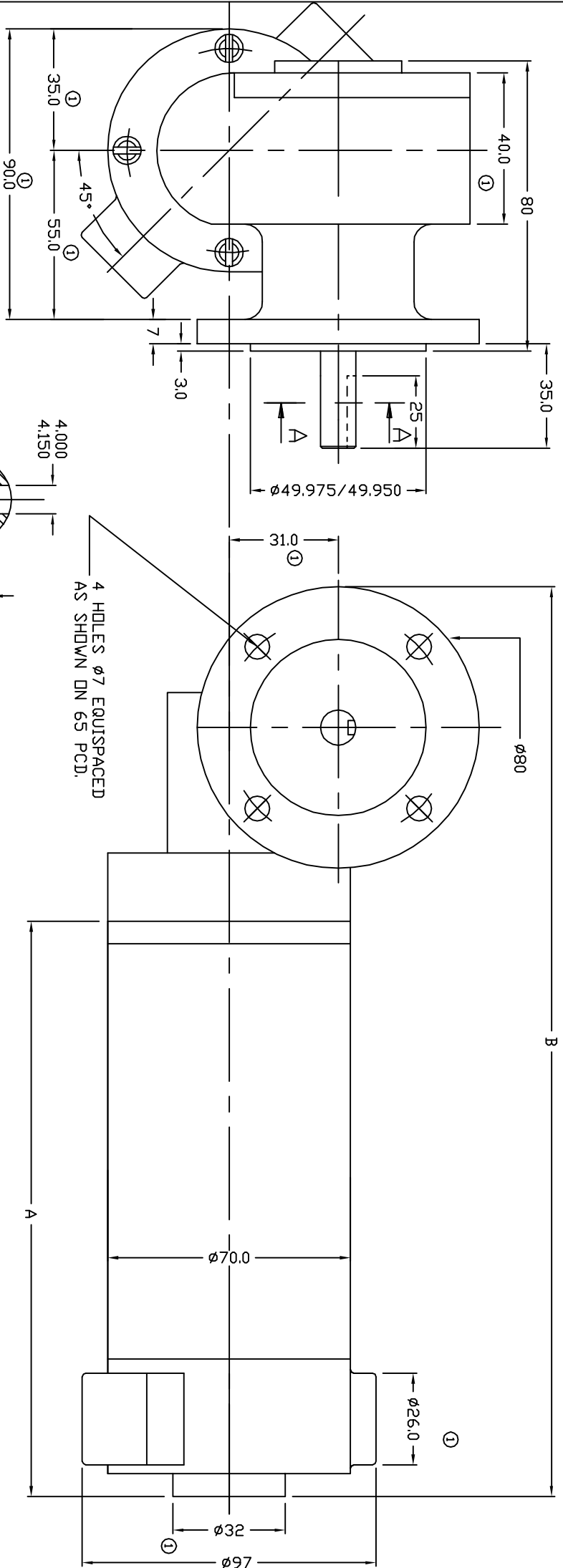
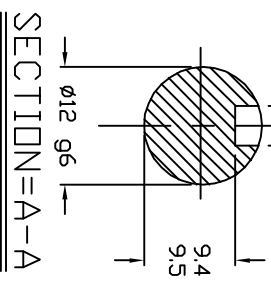


DO NOT SCALE THE DRAWING. ALL DIMENSIONS IN M.M. REMOVE SHARP EDGES. IF IN DOUBT ASK



MODEL	A	B	WEIGHT
DA	114	191	2.3 KGS.
DB	148	225	3.0 KGS.
DC	182	259	3.7 KGS.



NOTE:- PLEASE SEND APPROVAL COPY WHILE ORDERING

GEAR BOX RATIO 30:1

TOLERANCE:					DRN.	VTK.	21-03-04	MATERIALS:	
ABOVE	0.5	6	30	120	CKD.	DRD.		SCALE: NTS.	
UP TO	6	30	120	315	APPD.	VVH.		MATERIALS:	
TOL.	±0.1	±0.2	±0.3	±0.5	TITLE				
MODEL: DB					OUTLINE DRAWING.				
Manufactured by-					FOR R. HAND G. BOX.				
PRANSHU ELECTRICALS PVT. LTD.					DRG. NO. DBOL009/2				
D15, MIDC WALUJ									
AURANGABAD-431 136									
(INDIA)									

INDEX	REVISION	DATE	SIGN	REVISION
②	DIMENSION 25.0 WAS 30	27-07-05		
①	DIMENSIONS ADDED.	25-01-04		